

## YCQC SERIES

# Pressure Transducer

Pressure transducers are widely used in Air Conditioning, Refrigeration and Heat Pump system. YCQC pressure transducer uses a DC 10-30V excitation input to provide a 4-20mA signal output proportional to the pressure of the medium. This device requires no end user amplification. Pressure transducers permit to control and guarantee the system working under safe and stability condition.



### FEATURES

- OVERALL FEATURES: APPLIED HIGH PERFORMANCE DIGITAL CIRCUIT WHICH HAS GOOD LINEAR, SMALL TEMPERATURE SHIFT AND HIGH LEVEL OF ACCURACY OVER WIDE OPERATING RANGE
- SMALL SIZE AND SIMPLE INSTALLATION; MODELS AVAILABLE WITH HIRSCHMANN AND PARKARD SOCKET CONNECTIONS
- STABILITY: APPLIED SUPERIOR PRESSURE CORE, GOOD STABILITY UNDER STRICT PROCESS CONTROL
- DIVERSIFICATION: VARIOUS PRESSURE RANGE

### GENERAL SPECIFICATION

- Applicable for all common HCFC, HFC refrigerants such as: R22, R134a, R404A, R407C, R410A, R507
- Installation position: preferably with vertical axis and sensor upwards
- Certifications: UL/VDE and declaration according to EMC directive



**ELECTRICAL SPECIFICATION**

- Supply Voltage: from 10V to 30V DC
- Rated Output Signal: from 4 to 20 mA
- Current Limitation (linear output signal up to 1.5 x rated range): 28 mA
- Electric strength: Max. 0.75mA, DC500V, AC1.8KV/S
- Insulation Resistance 2: Min. 100 MΩ
- Protection Class: IP65/IP66

Operative Limits					
Model Name	Ambient Temperature	Relative Humidity	Medium Temperature TS min / max	Temperature Range for maximum accuracy	Maximum Operating Pressure (MOP) [ Mpa ]
YCQC02L04	-40°C/+80°C	from 0 to 95%	-40°C / +80°C	± 0,8 % F.S. in the range -40°C / +80°C	5,25
YCQC02L05					5,25
YCQC03L04					7,50
YCQC03L05					7,50
YCQC03L06					7,50

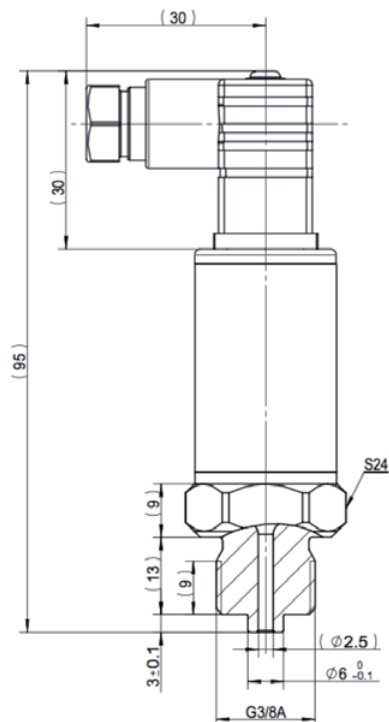
**GENERAL CHARACTERISTICS**

Model Name	Mechanical connection			Electrical connection	Pressure Range (0 to pr) [ Mpa ]
	Type	Pipe Size [ inch ]	Thread size		
YCQC02L04	Thread	G3/8A	-	Hirschmann	-0,1 to 1,2
YCQC02L05	Thread	G3/8A	-	Hirschmann	-0,1 to 2,0
YCQC03L04	Thread	SAE - 1/4"	7/16-20UNF-2B	Hirschmann	0 to 3,0
YCQC03L05	Thread	SAE - 1/4"	7/16-20UNF-2B	Packard	0 to 3,0
YCQC03L06	Thread	SAE - 1/4"	7/16-20UNF-2A	Packard	0 to 3,0

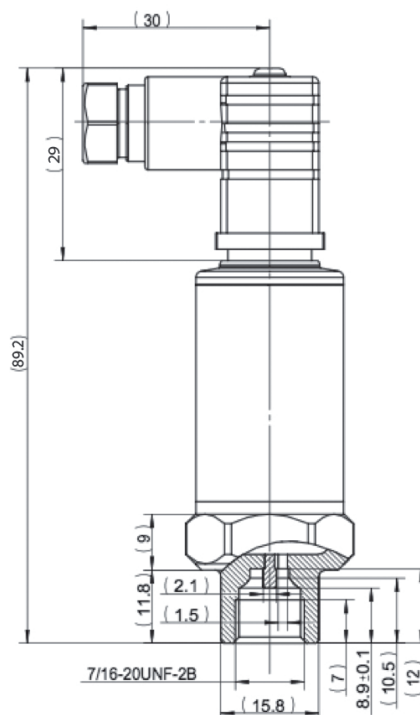
**YCQC SERIES**  
**Pressure transducer**



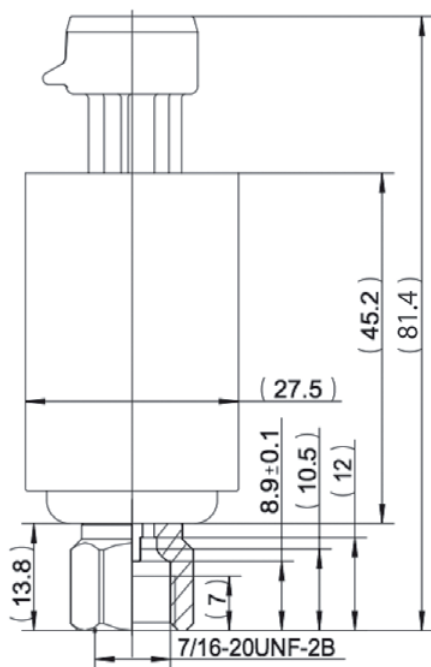
**DIMENSIONS**



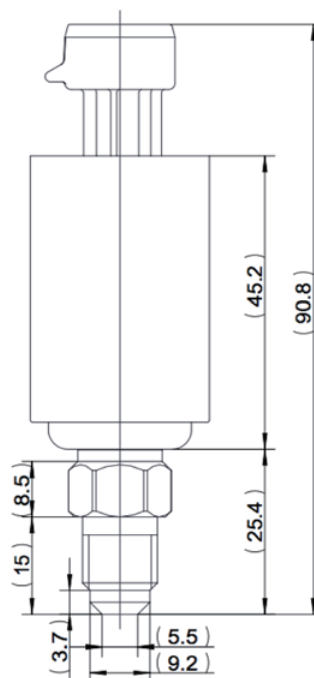
YCQC02L04, YCQC02L05 (Hirschmann Socket)



YCQC03L04 (Hirschmann Socket)



YCQC03L05 (Female Packard Socket)



YCQC03L06 (Male Packard Socket)