

LDF(NC) SERIES

Solenoid Valve

LDF series solenoid valves are direct operated or pilot operated solenoid valves, mainly used in refrigerant control of various devices such as refrigerating and freezing systems, air conditioners and heat pumps.



FEATURES

- COILS: LOW ENERGY CONSUMPTION, RELIABLE
- LOW INTERNAL LEAKAGE, CAN BE USED IN DISCHARGE BY PASS LINE.
- COMPACT DESIGN, EASY TO INSTALL.
- SUITABLE FOR ICE MARKER AND ICE CREAM MARKER

GENERAL SPECIFICATIONS

- Applicable for all common HCFC and HFC refrigerants such as R22, R134a, R407C, R404A, R410A
- Medium temperature TS min./max.: -30°C/+120°C
- Ambient temperature min./max.: -30°C/+50°C
- Relative humidity: 0 to 95%RH
- Max. operating pressure PS: 4.2Mpa
- Installation position:
 - Liquid suction and discharge line
 - Coil upwards, coil axis $\pm 15^\circ$ to tolerance versus vertical axis
 - Flow direction corresponds to the arrow

TECHNICAL PARAMETERS

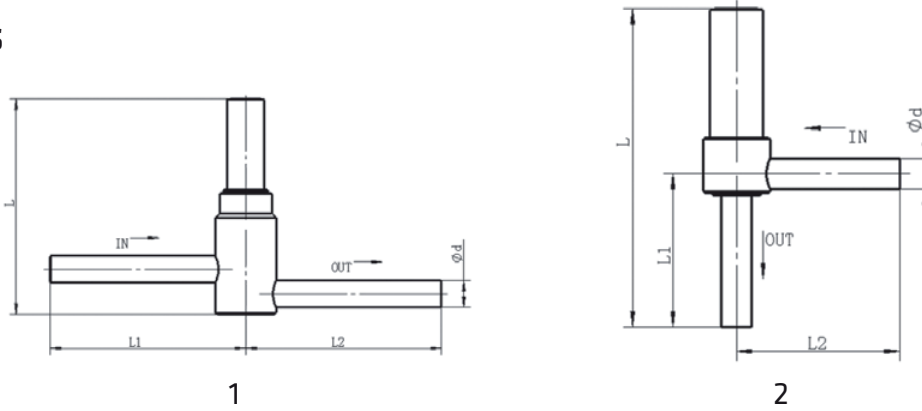
Series	Model Valve body	Actuation	Ø Seat	Kv	Internal leakage [mL/min]		Max.OPD (vapor/AC)*	Min. OPD
			[mm]	[mm]	3.1MPa	0.05MPa	[MPa]	[MPa]
LDF2	LDF2A01	Direct	2	0.12	≤ 10	≤ 10	3.1	0
LDF2	LDF2A02		2	0.12	≤ 10	≤ 10	3.1	0
LDF3	LDF3A08	Pilot	3	0.3	≤ 16	≤ 16	3.1	0.005
LDF4	LDF4A08		4	0.4	≤ 20	≤ 20	3.1	0.005
LDF6	LDF6A08		5.8	0.7	≤ 20	≤ 20	3.1	0.005
LDF8	LDF8A01		8	0.9	≤ 20	≤ 20	3.1	0.005
LDF8	LDF8A02		8	1.1	≤ 20	≤ 20	3.1	0.005

* Max. OPD tested by using AC coil MQ-A0522G under air condition

LDF(NC) SERIES Solenoid Valve



DIMENSIONS

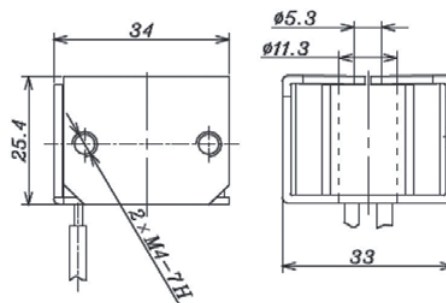


Series	Ød OD	Model Valve body	Dimensions [mm]			Drawings number
	[inch]		L	L1	L2	
LDF2	1/4	LDF2A01	51.6	40	39.5	1
LDF2	1/4	LDF2A02	79.5	38.5	40	2
LDF3	5/16	LDF3A08	91	46.5	46	2
LDF4	5/16	LDF4A08	91	46.5	46	2
LDF6	5/16	LDF6A08	95	49	48.5	2
LDF8	3/8	LDF8A01	67	71	71	1
LDF8	3/8	LDF8A02	120.7	69.5	71	2

Technical parameters of Coil

Model Coil	Rated voltage [V]	Power 50/60Hz [W]	Voltage Tolerance	Insulation Class	Wiring type
FQ-A05 024-000709	AC 24	5/4.5	+10% -15%	B	Lead Wires
FQ-A05 120-001098	AC 120				
FQ-A05 220-001044	AC 220-240				

Dimensions - Coil



1) Lead wire type coil